



Land of Enough Finger Puppets!!!

To make these fun puppets, just follow these simple steps.

You will need:



CRAYONS

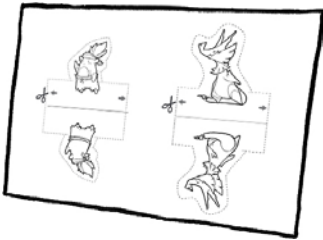


SCISSORS

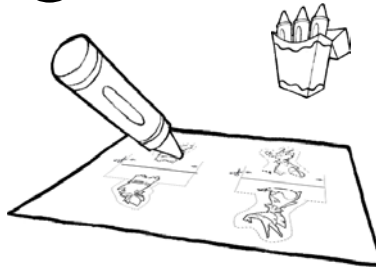


TAPE

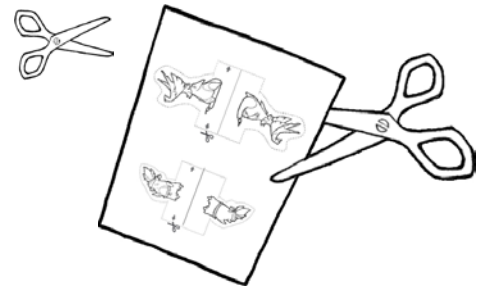
1 Print this PDF.



2 Color the puppets.



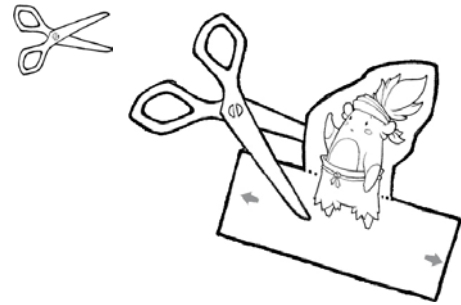
3 Cut along the dashed lines to cut out the puppets.



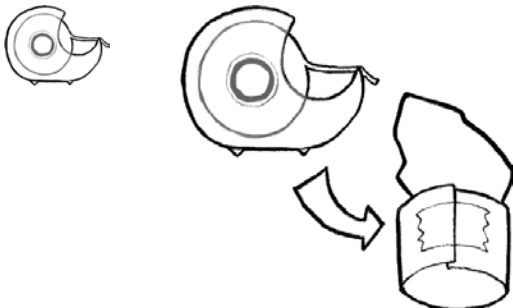
4 Fold each puppet in half along the black solid line.



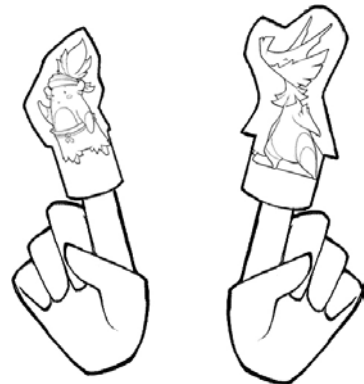
5 Cut along the dotted lines.

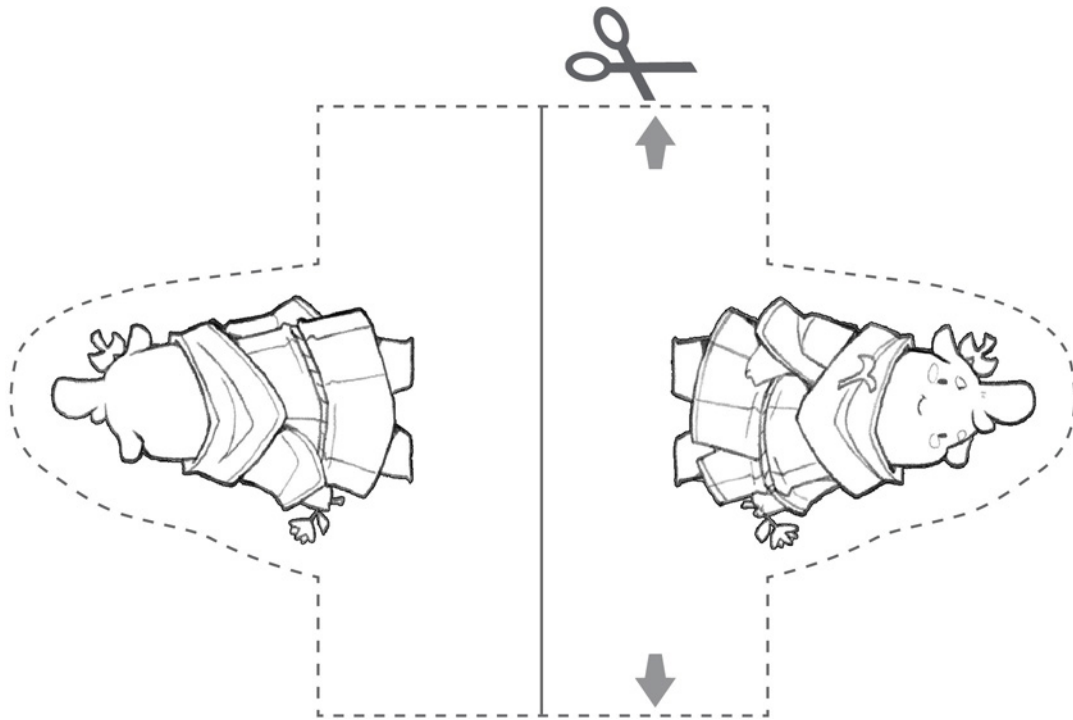


6 Roll the bottom into a tube so that the arrows touch; then tape it together. It should be a little bit bigger than your finger.

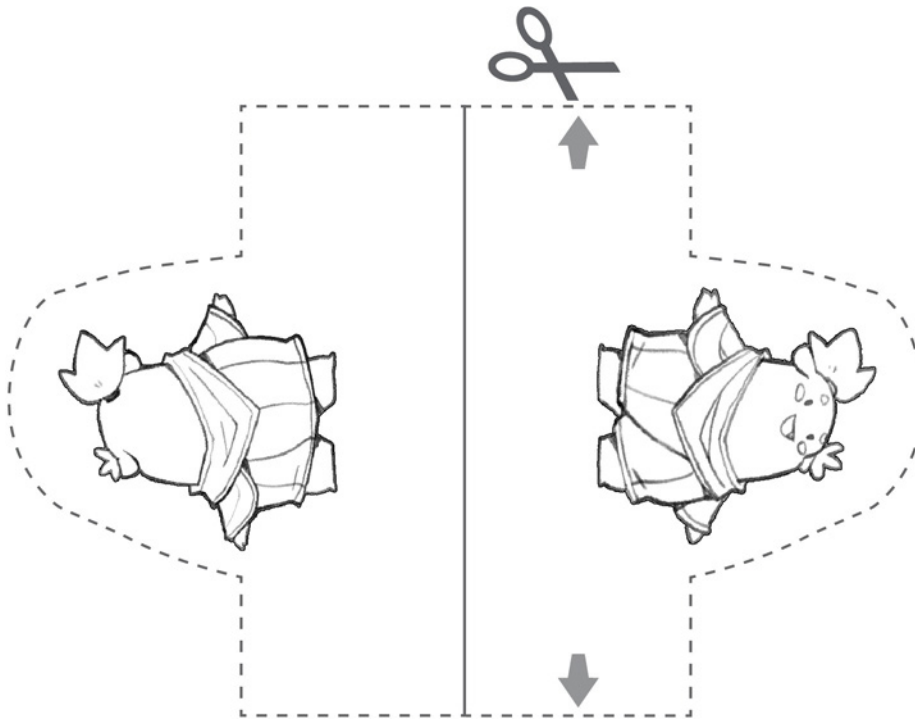


7 Hooray! You just made finger puppets!

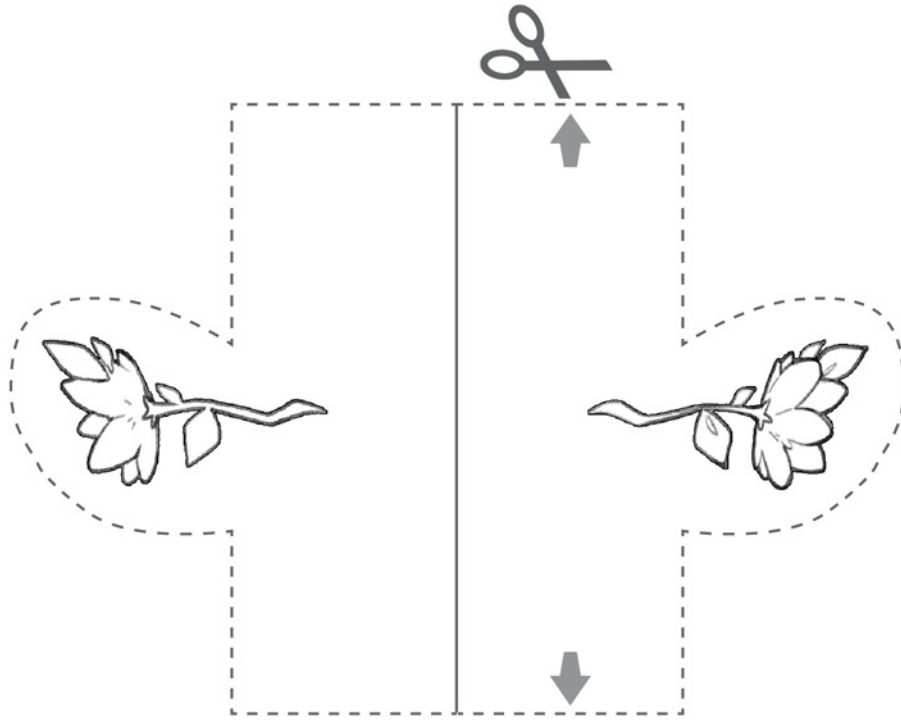




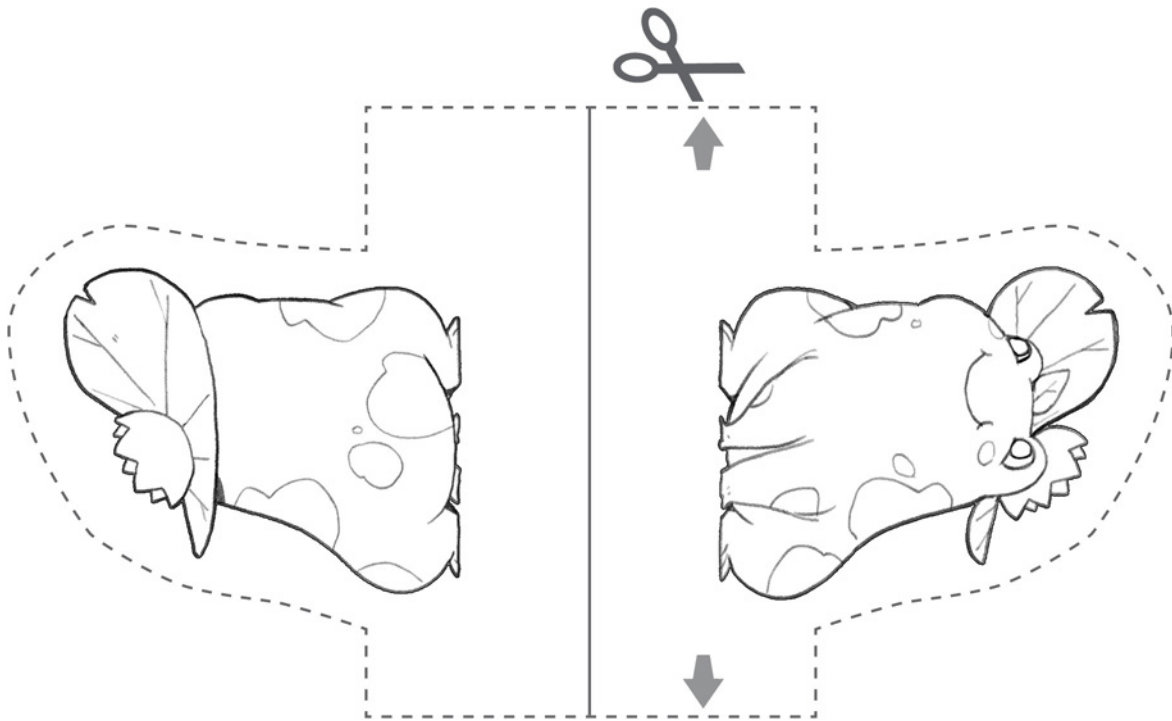
The Kid - YOU in Land of Enough



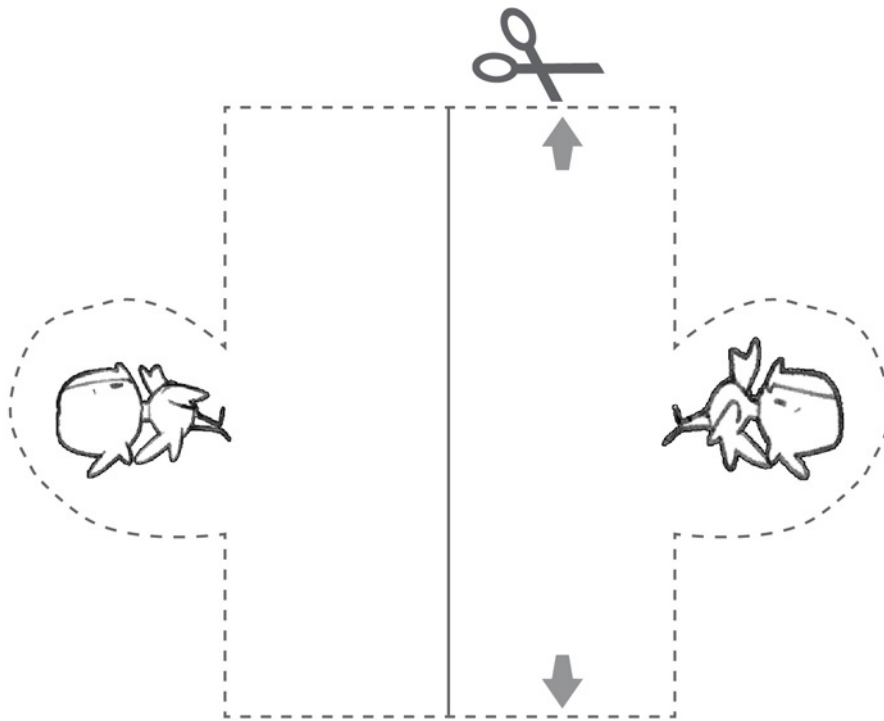
New Friend in Enough



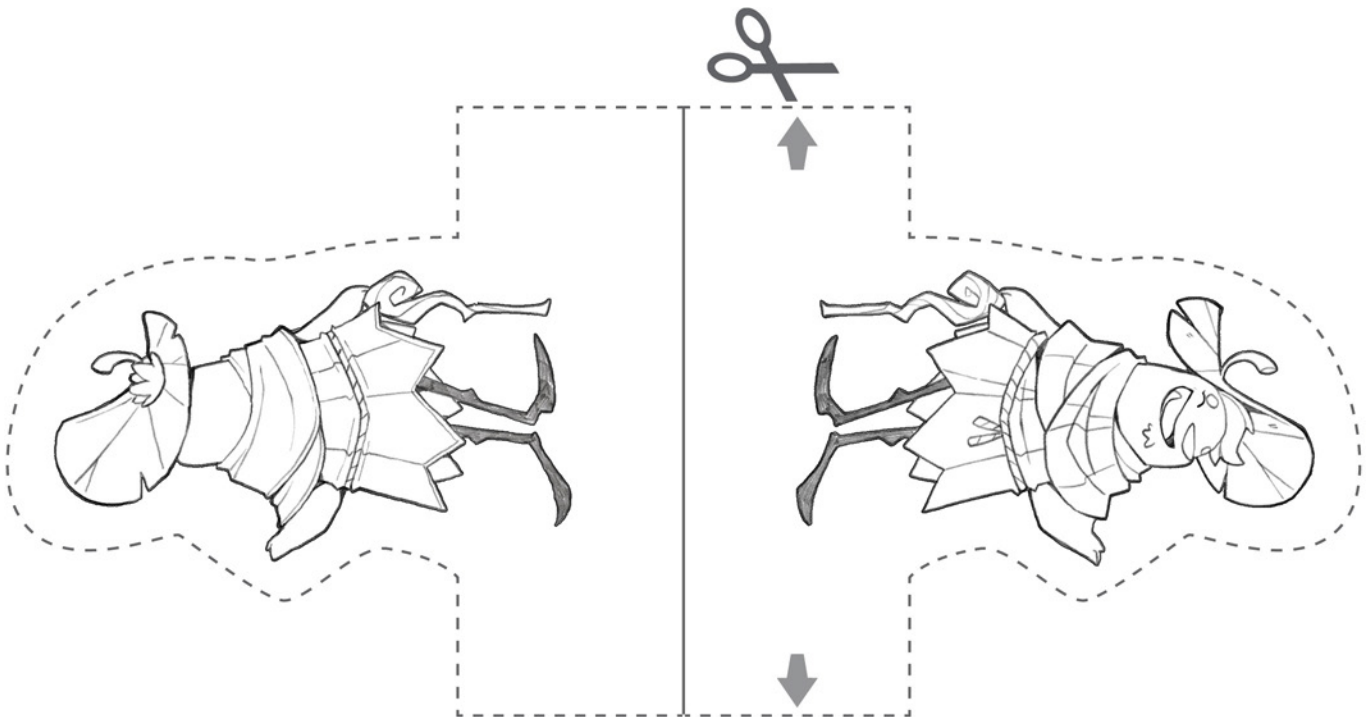
The Enough Flower



Froggie Friend



The Ducky who points out Enough



The Yabbut, Your Guide to Enough